



Bobcat®

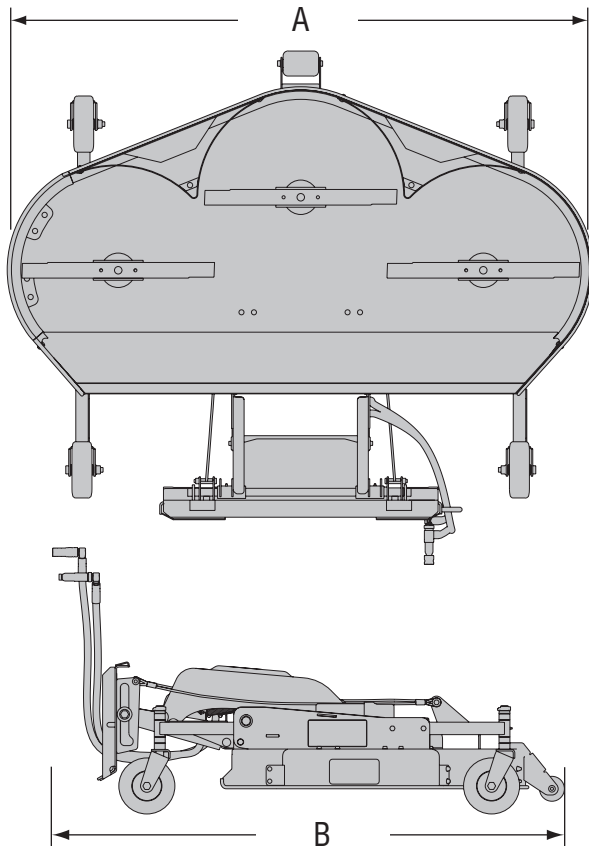
Mower Attachment



One Tough Animal™

Specifications

Mower	72 in.	90 in.
Cutting Width	71.5 in.	89.5 in.
A. Overall Width	76 in.	94 in.
B. Overall Length	68 in.	75 in.
Operating Weight	880 lb.	990 lb.
Flow Range	15-22 gpm	15-22 gpm
Number of Blades	3	3
Shutoff Travel Height	8.5 in.	8.5 in.
Cutting Height Range (Adjustable in 1/2" increments)	2-5.5 in.	2-5.5 in.
Blade Tip Speed	11,970 ft./min. @ 15 gpm 15,959 ft./min. @ 20 gpm 17,555 ft./min. @ 22 gpm	11,730 ft./min. @ 15 gpm 15,640 ft./min. @ 20 gpm 17,204 ft./min. @ 22 gpm



Mow it down — even in the roughest applications!

The Bobcat mower attachment is recommended for rough-cut applications, including road ditch right-of-way, golf course roughs and large acreage mowing. It's ideal for:

- Landscape contractors
- Nurseries
- Golf courses
- Municipalities
- Hobby farmers
- Large-lot and rural homeowners

Unlike 3-point hitch and belly mowers, the Bobcat mower attachment eliminates driving over the grass before cutting, and provides excellent visibility to the work area. Other features include:

- Three overlapping blades for clean cutting with no skips.
- Direct-drive hydraulic motor powers a single V-belt.
- Industry standard cutting blades elevate grass for better mulching capability.
- Adjustable cutting height from 2 to 5.5 inches in half-inch increments.
- Unique attachment frame allows mower to oscillate independently of loader.
- Rear discharge disperses grass clippings under the carrier, away from buildings, trees and fences.
- Patented blade shutoff device stops blade rotation when mower is raised off the ground.
- Anti-scalping wheel allows operator to traverse uneven terrain without scalping the surface (standard equipment on 90-inch model).

NOTE - Where applicable, dimensions are in accordance with Society of Automotive Engineers (SAE) and ISO standards. Specifications and design are subject to change without notice. Pictures of Bobcat units may show other than standard equipment. All dimensions are given for loader equipped with standard tires. All dimensions are shown in inches. Respective metric dimensions are enclosed by parentheses. Bobcat Company complies with the requirements of ISO 9001 as registered with BSI.

The Bobcat Attachments Advantage: Bobcat attachments are engineered and manufactured to fit Bobcat loaders for optimum job performance, dependability and durability.

Bobcat Mower Attachment fits these carrier models:

Skid-Steer Loaders:

S100*
S130*
S150
S160
S175
S185
S205
S220
S250
S300
S330

Compact Track Loaders:

T140*
T180
T190
T250
T300
T320

All-Wheel Steer Loaders:

A300

Utility Work Machine:

5600T

VersaHandler® Telescopic Tool Carrier

V417

* 72 in. only