

Platform Stacker BPSE

Six Mast Heights

2500mm, 3000mm, 3300mm, 4500mm, 5000mm, 5600mm, Versatility to meet your application.

Hour Meter / BDI

Doosan Stacker comes standard with a digital Hour Meter / Battery Discharge Indicator to keep track of hours used and reserve battery power at a glance.



Initial Lifting with Double Pallet

Maximize operation efficiency with double pallet handling.



Roll Out Battery Tray

Allows for easy maintenance, removal and replacement.



Low Speed / Brake Override Switch

Allows creep speed operation with handle in the upright position. Increases ability to maneuver in tight spaces.

Ergonomic Handle

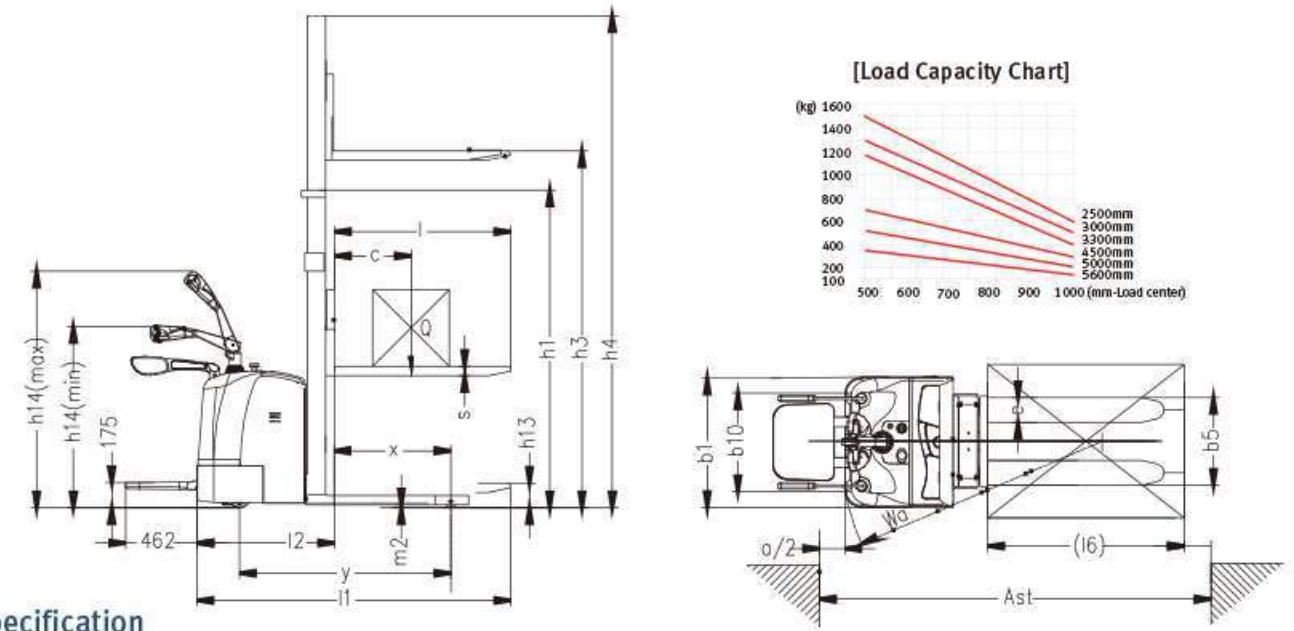
Reduces operator's fatigue.

Foldable Platform

Allows long distance driving without fatigue on foot.

Poly Drive Tire

Provides longer tire life and has lower energy consumption versus a rubber tire.



Specification

Characteristics		BPSE15S-7	
1	Doosan Name	BPSE15S-7	
2	Drive type	Electric	Electric
3	Operator type	Standing	Standing
4	Load capacity/rated load	kg	1500
5	Load centre distance	c mm	600
6	Wheelbase	y mm	1405
7	Fork height, lowered	h13 mm	90
8	Axle loading, laden front/rear	kg	1280/1070
9	Axle loading, unladen front/rear	kg	200/650
Chassis			
10	Tyres	polyurethane	
11	Tyre size, front	mm	φ 250×70
12	Tyre size, rear	mm	φ 80×70
13	Additional wheels(dimensions)	mm	φ 150×60
14	Wheels, number front rear(x=driven wheels)		1x+2/2
15	Tread, front	b10 mm	586
16	Tread, rear	b11 mm	410/525
Dimensions			
17	Height, mast lowered	h1 mm	1837/2087/2237
18	Free lift	h2 mm	~
19	Max. lift height	h3 mm	2500/3000/3300
20	Height, mast extended	h4 mm	3087/3587/3887
21	Initial lift	h14 mm	1150/1450
22	Overall length	l1 mm	2025
23	Length to face of forks	l2 mm	920
24	Overall width	b1 mm	850
25	Fork dimensions	s/e/l mm	60/170/1070(1150)
26	Width overall forks	b5 mm	580/695
27	Ground clearance, centre of wheelbase	m2 mm	28
28	Aisle width for pallets 1000×1200 crossways	Ast mm	2550
29	Aisle width for pallets 800×1200 lengthways	Ast mm	2520
Performance			
30	Turning radius	wa mm	1655
31	Travel speed, laden/unladen	Km/h	5.8/6
32	Lift speed, laden/unladen	m/s	0.06/0.13
33	Lowering speed, laden/ unladen	m/s	0.13/0.10
34	Gradeability, laden/ unladen	%	6/15
35	Service brake		Electromagnetic
36	Drive motor rated output	kW	1.2
37	Battery voltage, nominal capacity K5	V/Ah	24/200
38	Battery weight	kg	200
39	Battery compartment dimensions l/w/h	mm	800x254x320

* Specifications and dimensions of vehicles may change without notice for quality improvement, and images shown in this catalogue may differ with actual ones.