

Walkie Stacker

BWSE

Hour Meter / BDI

Doosan Stacker comes standard with a digital Hour Meter/Battery Discharge Indicator to keep track of hours used and reserve battery power at a glance.



Low Speed / Brake Override Switch

Allows creep speed operation with handle in the upright position. Increases ability to maneuver in tight spaces.

Ergonomic Handle

Reduces operator's fatigue.



Six Mast Heights

2500mm, 3000mm, 3300mm, 4500mm, 5000mm, 5600mm, Versatility to meet your application.

CAN Bus Technology

This reduces the number of electrical connections and potential for problems making the system less complicated and more reliable.

Roll Out Battery Tray

Allows for easy maintenance, removal and replacement.

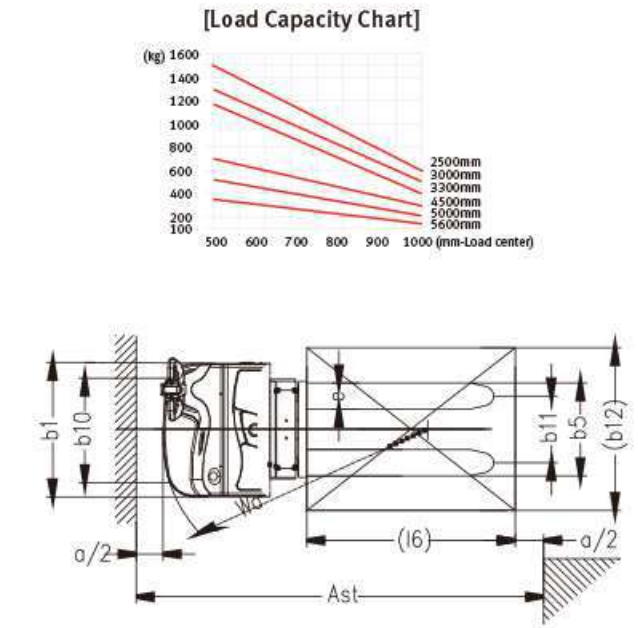
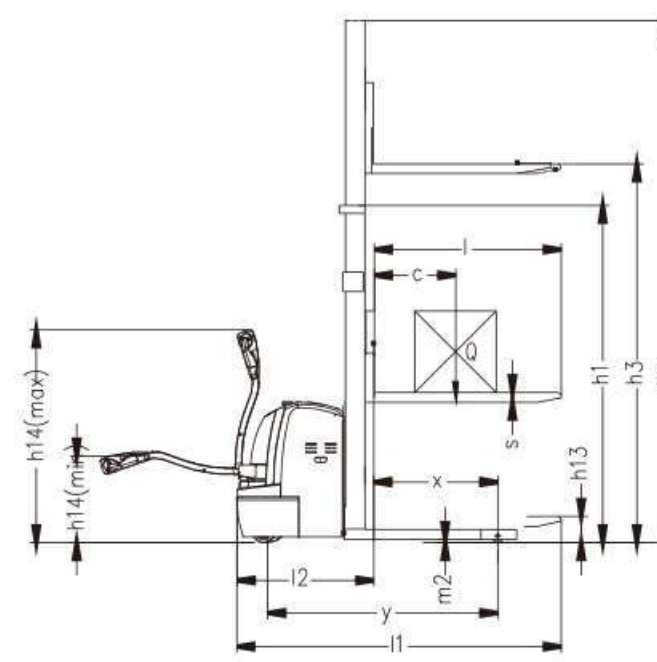


Adjustable Spring Loaded Caster

Stabilizes electric stacker with loads at height.

Poly Drive Tire

Provides longer tire life and has lower energy consumption versus a rubber tire.



Specification

Characteristics		BWSE15S-7	
1	Doosan Name	BWSE15S-7	
2	Drive type	Electric pedestrian	Electric pedestrian
3	Operation type	pedestrian	pedestrian
4	Load capacity	kg	1500
5	Load centre distance	mm	600
6	Wheelbase	y mm	1410
7	Load distance, centre of drive axle to fork	x mm	697
8	Fork height, lowered	h13 mm	90
Chassis			
9	Tyres	polyurethane	polyurethane
10	Tyre size, front	φ250×70	φ250×70
11	Tyre size rear	φ80×70	φ80×84
12	Additional wheels(dimensions)	φ150×60	φ150×60
Dimensions			
13	Height, mast lowered	h1 mm	1837/2087/2237
14	Max. lift height	h3 mm	2500/3000/3300
15	Height, mast extended	h4 mm	3087/3587/3887
16	Height of tiller in drive position min./max.	h14 mm	670/1330
17	Overall length	l1 mm	2045
18	Overall width	b1 mm	820
19	Fork dimensions	s/e/l mm	60/170/1070(1150)
20	Width overall forks	b5 mm	580/695
21	Aisle width for pallets 1000×1200 crossways	Ast mm	2480
22	Aisle width for pallets 800×1200 lengthways	Ast mm	2450
Performance			
23	Turning radius	wa mm	1605
24	Travel speed, laden / unladen	Kw/h	5.8/6
25	Lift speed, laden / unladen	m/s	0.06/0.13
26	Lowering speed, laden / unladen	m/s	0.13/0.10
27	Service brake		Electromagnetic
28	Drive motor rated output	kW	1.2
29	Battery voltage, nominal capacity K5	V/Ah	24/200
30	Battery weight	kg	200
31	Battery department size	mm	800x254x320

* Specifications and dimensions of vehicles may change without notice for quality improvement, and images shown in this catalogue may differ with actual ones.