



The LeeBoy Group

Tilt Hopper Asphalt Paver

1000F Asphalt Paver



1000F Paver

Features include:

- 42,3 kW Perkins Diesel Engine
- 4536 kg Operating Weight
- 2438–3962 mm Heated & Vibrating Legend Screed
- 4900 kg Hopper Capacity
- Automatically Tensioned Steel Track Drive
- Low Deck Configuration
- Single Lever Hopper & Wing Control
- 229 mm Cast Steel Augers
- Under-Auger Cutoff Gates
- Hydrostatic Propulsion Controls
- Pause/Resume Control
- Compact Size
- Optional Operating Light Package

Designed with the Paving Professional in Mind.®

Best in Class



Tractor

Tracks: The 876 mm track-ground contact length provides smooth travel while paving for a superior mat surface. The auto-tensioning, 356 mm wide steel tracks yield ample traction for paving in various conditions.

Traction Drive: The proven system design includes independent, hydrostatic direct drive with mechanical hydraulic controlled, single speed planetaries and single speed motors. The high-reduction planetary system provides the correct amount of power for precise control. The friction drive is designed to be easy to service and maintain. Speed selection is infinitely variable:

Forward @ 2200 rpm 70 m/min
Reverse @ 2200 rpm 40 m/min

Powerful Engine: Perkins 3 cylinder, 1103C-33, 3.3 L, water-cooled, diesel engine develops 42,3 kW and includes air cleaner with replaceable element, replaceable oil filter, diesel fuel filter, and 85 amp alternator.

Smooth Undercarriage: The 1219 mm long undercarriage provides superior flotation for various paving conditions.



Operator's Station

A single seat is provided for operator comfort. It may be installed on either side of machine. The control panel houses the ignition switch, emergency stop button and switches allowing easy operation of parking brake, strobe beacon, operating lights, washdown system, horn, and engine rpm. Gauges show engine rpm, and warnings for high oil temperature, high coolant temperature, and low battery voltage.



Controls



Controls: The paver may be controlled from either side for maximum convenience. The left side controls consist of directional control sticks, vibration, left and right extensions, screed lift, left and right cutoff gates, left and right auger, and hopper tilt.



The right side controls consist of directional control sticks, right extension, and right auger.

Material Management

Push Rollers: Counterweighted push rollers improve paver balance while keeping the paver just the right distance from the dump truck.

Hopper Design: The 5443 kg capacity hopper has 6 mm steel hopper wings flashed with 19 mm heat resistant UHMW minimizing asphalt spillage. The hopper tilts 50°—industry maximum—and folds to smoothly feed material to the augers. This steep angle allows smooth feeding of material even while going downhill. The highly reinforced hopper provides long life while its folding/tilting design allows superior feeding of material.

Washdown system: Dual side washdown system is standard to allow easy cleanup.



Features & Options

Augers

Augers: Easily replaceable, abrasion resistant, steel flights and shafts for maximum service life.

Auger Diameter 229 mm
Auger Flight Thickness 13 mm
Auger Speed Maximum 118 rpm



Under Auger Cutoff System: The exclusive under auger cutoff system allows precise placement of material. The left and right cutoff gates may be opened or closed independently.



Auger Feed Assembly: The design of the auger chainbox keeps it out of the path of the asphalt as it comes off of the hopper joining the rest of the head of material eliminating center-line segregation. This design further promotes easy serviceability.

Screed

Legend Screed: The 9,5 mm thick main screed and the 6 mm thick extensions provided a smooth mat in a compact package. Pave up to 3962 mm wide.



Standard paving width 2438–3962 mm
Paving depth range 6–152 mm
Center crown 51 mm positive, 38 mm negative

Screed Vibration: A single self-contained vibrator (3200 vpm) on the main screed enhances material flow for smooth mat texture and density. The two sliding hydraulic screed extensions (one on each end of the main screed) are equipped with integral 152 mm deep replaceable screed plates while the main is 330 mm deep.

Manual crown: The manual crown adjuster is easy to access for crown adjustments.

Heat: Four propane burners (two on the main and one on each extension), provide quick heat to the entire screed.

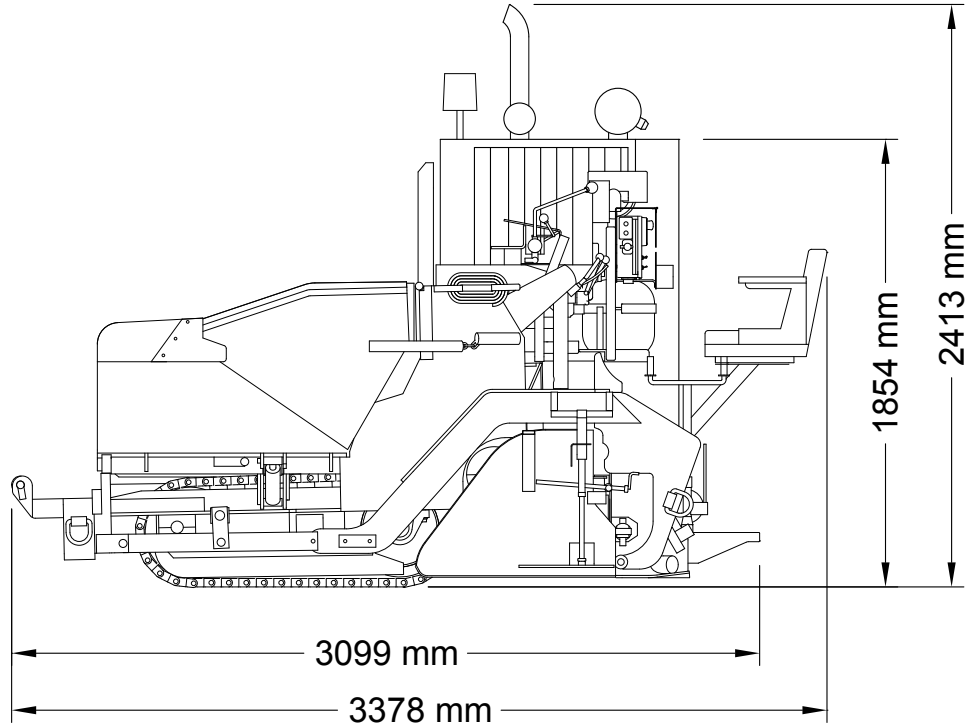


Optional Equipment

- ✓ Work Light Package
- ✓ Sonic Grade Controls



Specifications



Operating Weight	4536 kg
Transport Width (hopper sides up)	2591 mm
Working Width (hopper sides down)	2743 mm
Paving Width	2438–3962 mm
Paving Depth	6–152 mm
Hopper Capacity	4900 kg
Track Length	876 mm
Length Overall	2489 mm
Electrical System	12 V, 85 amp alternator
Hydraulic System	170 L
Fuel Capacity	49 L

LeeBoy makes constant improvements to all of its products and reserves the right to change specifications without notice. Photos and illustrations may show standard and /or optional equipment.

1000F, RX

www.leeboy.com

Other Members of the LeeBoy Family of Products



8510B Paver



Maximizer 2 Kit



Asphalt Plants

"LeeBoy is dedicated to providing top quality parts and service support on every unit sold."