



Bobcat®

Industrial Grapple Attachment



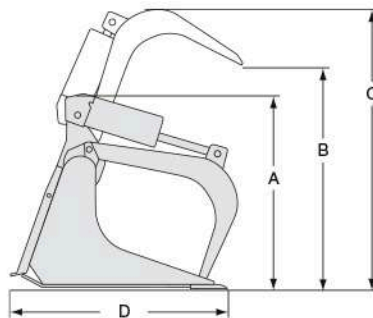
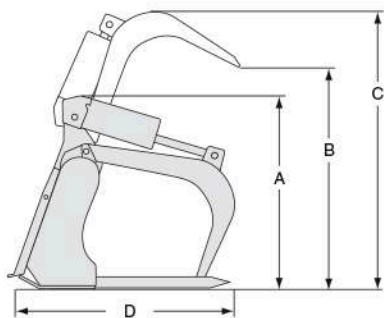
One Tough Animal™

Bobcat® Industrial Grapple

Specifications

Industrial Grapple	36 in. Bucket	48 in. Bucket	60 in. Bucket	66 in. Bucket
Overall Width	36.0 in. (914 mm)	48.0 in. (1219 mm)	61.7 in. (1567 mm)	67.7 in. (1720 mm)
No. of Fork Teeth				
Standard	N/A	N/A	N/A	N/A
Complete	N/A	N/A	N/A	N/A
Operating Weight	365 lb. (166 kg)	448 lb. (203 kg)	790 lb. (358 kg)	845 lb. (383 kg)
A	29.5 in. (748 mm)	29.5 in. (748 mm)	32.25 in. (819 mm)	32.25 in. (819 mm)
B	30.4 in. (773 mm)	30.4 in. (773 mm)	37 in. (943 mm)	37 in. (943 mm)
C	41.3 in. (1050 mm)	41.3 in. (1050 mm)	46 in. (1163 mm)	47 in. (1163 mm)
D	32.2 in. (818 mm)	32.2 in. (818 mm)	37.2 in. (945 mm)	37.2 in. (945 mm)
Bolt-on Cutting Edge	Standard	Standard	Available	Available

Industrial Grapple	66 in. Fork	72 in. Bucket	78 in. Fork	80 in. Bucket
Overall Width	66.9 in. (1699 mm)	72.9 in. (1852 mm)	78.8 in. (2002 mm)	80.0 in. (2033 mm)
No. of Fork Teeth				
Standard	7	N/A	8	N/A
Complete	13	N/A	15	N/A
Operating Weight	845 lb. (383 kg)	872 lb. (396 kg)	1200 lb. (544 kg)	1105 lb. (501 kg)
A	32 in. (815 mm)	32.25 in. (819 mm)	38 in. (963 mm)	39 in. (963 mm)
B	38 in. (943 mm)	37 in. (943 mm)	41 in. (1037 mm)	42 in. (1037 mm)
C	48 in. (1163 mm)	47 in. (1163 mm)	52.5 in. (1334 mm)	51.8 in. (1316 mm)
D	37.2 in. (945 mm)	37.2 in. (945 mm)	40.9 in. (1039 mm)	41.5 in. (1055 mm)
Bolt-on Cutting Edge	N/A	Available	N/A	Standard



NOTE - Where applicable, dimensions are in accordance with Society of Automotive Engineers (SAE) and ISO standards. Specifications and design are subject to change without notice. Pictures of Bobcat units may show other than standard equipment. All dimensions are given for loader equipped with standard tires. All dimensions are shown in inches. Respective metric dimensions are enclosed by parentheses. Bobcat Company complies with the requirements of ISO 9001 as registered with BSI.

The Bobcat Attachments Advantage: Bobcat attachments are engineered and manufactured to fit Bobcat loaders for optimum job performance, dependability and durability.



Industrial Fork Grapples



**Industrial Bucket Grapples
60 in.-80 in.**



**Industrial Bucket Grapples
36 in.-48 in.**

Bobcat Industrial Grapple Attachments fit these carrier models:

Mini Track Loaders:
MT52
MT55

Skid-Steer Loaders:
463
553
S100
S130
S150
S160
S175
S185
S205
S220
S250
S300
S330

Compact Track Loaders:
T140
T180
T190
T250
T300
T320

All-Wheel Steer Loaders:
A300